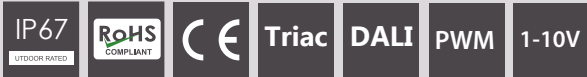
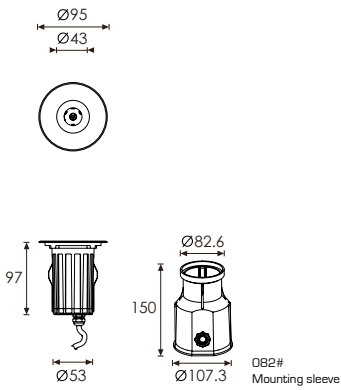


# Depth Illuminant LED Inground Light AXIS



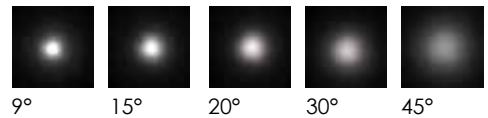
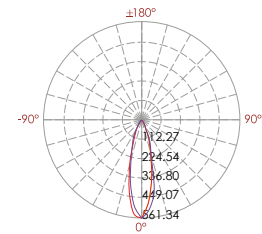
Hard chromeplated Stainless steel SUS 316L  
12# Die-casting grey powder coated aluminum.  
T=60-80µm Adhesion of ISO class 1/ASTM class 4B



## 334 154

| LED Power       | Colour Temp | Luminous |
|-----------------|-------------|----------|
| 24V - 4,3W      | 2000K       | 230 lm   |
| 120/240V - 3,1W | 3000K       | 200 lm   |
|                 | 6000K       |          |

## LIGHT DISTRIBUTION



## 334 155

| LED Power       | Colour Temp | Luminous |
|-----------------|-------------|----------|
| 24V - 4,3W      | 2000K       | 230 lm   |
| 120/240V - 3,1W | 3000K       | 200 lm   |
|                 | 6000K       |          |

## LIGHT DISTRIBUTION

